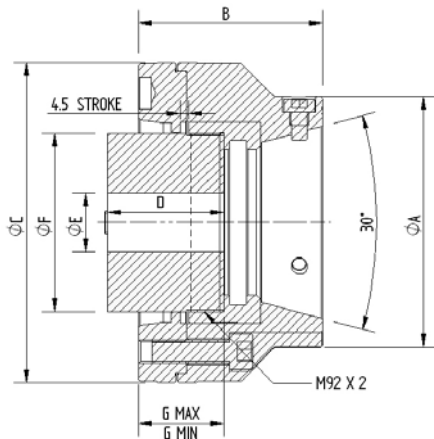


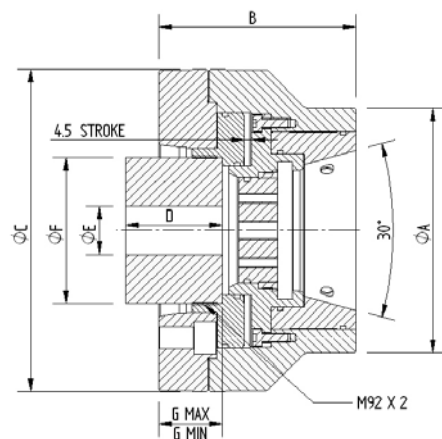
KITAGAWA EUROPE DH Collet Chuck

In addition to the popular QCRL and CRL range of collet chucks, Kitagawa Europe (UK) manufactures the DH Series having the following features;

- Quick changeover of Collets
- Compact design with secure and accurate clamping
- Compatible with popular 52mm and 65mm Clamp Head Collets
- DHP Pull Back type for secure first operation clamping
- DHF Fixed Length type for no part movement
- High accuracy ideal for second operation
- A2-5, A2-6 and A2-8 Mount versions available



DHP – Pull Back Collet Chuck



DHF –Fixed Length Collet Chuck

SPECIFICATIONS		DHP52-A5	DHP52-A6	DHP52-A8	DHP65-A5	DHP65-A6	DHP65-A8	DHF65-A6
Gripping Range	Max mm	52	52	52	65	65	65	65
	Min mm	4	4	4	4	4	4	4
Collect Increment	mm	0.5	0.5	0.5	0.5	0.5	0.5	0.5
Sleeve Stroke	mm	4.5	4.5	4.5	4.5	4.5	4.5	4.5
Max Input Force	kN	40	40	40	455	45	45	45
Max Gripping Force	kN	94	94	94	105	105	105	105
Max Speed (r.p.m)	min ¹	6500	6500	6500	6000	6000	6000	6000
Net Weight	kg	9	9	11	9	9	11	12
Matching Cylinder		S1552	S1552	S1522	S1875	S1875	S1875	S1875
Collet/Clamping Head		DC-52	DC-52	DC-52	DC-65	DC-65	DC-65	DC-65
DIMENSIONS		DHP52-A5	DHP52-A6	DHP52-A8	DHP65-A5	DHP65-A6	DHP65-A8	DHF65-A6
Mount		A2-5	A2-6	A2-8	A2-5	A2-6	A2-8	A2-6
A		120	120	120	130	130	130	152
B		89	89	109	95	95	115	105
C		165	165	210	165	165	210	200
D		60	60	60	60	60	60	60
E (Max)		M70x2	M85x2	M85x2	M70x2	M85x2	M85x2	M85x2
F		79	92	92	79	92	92	92
G (Max)		44	44	64	44	44	64	44
G (Min)		39.5	39.5	59.5	39.5	39.5	59.5	39.5