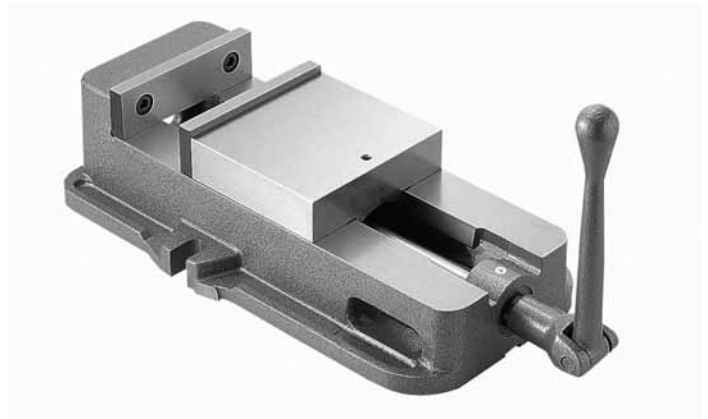


ERON Lock-Tight Manual Vise

Good quality precision machine vise for both manual and CNC applications.

Featuring the following:

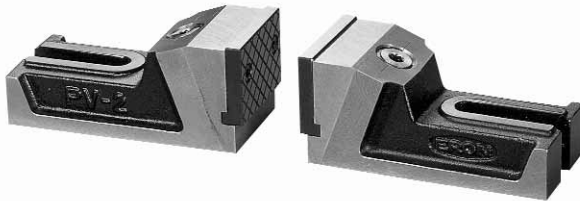
- Made in Japan from ductile cast iron
- Vise slideways are flame hardened
- High clamping force
- Pull down mechanism
- Bigger jaw opening than most vises of this width
- Solid stationary jaw for additional rigidity



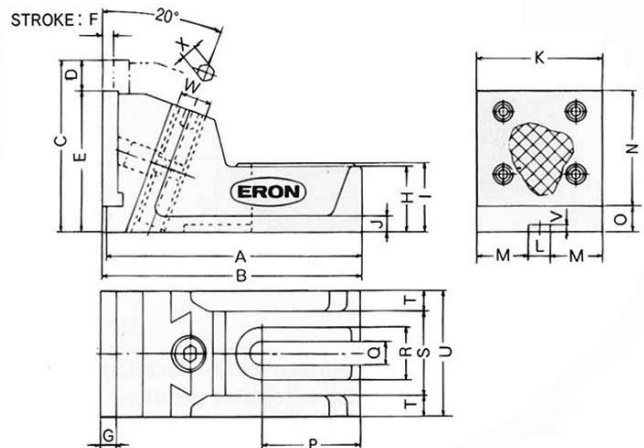
SPEC (mm)

Part No.	Jaw Width	Jaw Depth	Jaw Opening	Standard Key Blocks	Clamping Force (kN)	Weight (Kgs)
LT680	152	44	207	18	40	29

ERON Pull-Down Free Vise



Supplied as a pair, these vises provide a practical solution for clamping lengthy workpieces on the work table of machine tools such as milling machines, boring machines and even large planing machines, the two jaw blocks being set at any required distance with respect to each other..... free jaw opening.



Optional Swivel Base for LT680 (LT60SV150)

SIZE (mm)

Part No.	A	B	C	D	E	F	G	H	I	J	K	L	M	N	O	P	Q	R	S	T	U	V	W	X
PV-0	70	73	50	8	42	3	9	21	23	5	46	-	-	30	12	9	13.5	25	36	5	46	-	Tr18P2	6
PV-1	127	130	64	8	56	3	10	30	32	7	62	-	-	40	16	51	15	32	48	7	62	-	Tr22P4	8
PV-2	180	186	102	20	82	7	12	40	43	12	85	16	34.5	60	22	73	19	40	65	10	85	5	Tr28P4	10
PV-3	245	250	164	29	135	10.5	15	70	73	15	120	20	49	110	25	95	22	50	80	20	120	6	Tr30P6	14

SPEC (mm)

Part No.	Jaw Width	Min. Height	Max. Height	Set Bolt	Weight (kgs)	Available T-slot size	Key Block
PV-0	46	42	50	M12	1.5	-	-
PV-1	62	56	64	M14	4.8	16	-
PV-2	85	82	102	M14	12.5	16 - 18	16
PV-3	120	135	164	M18	39.1	20 - 22	20

