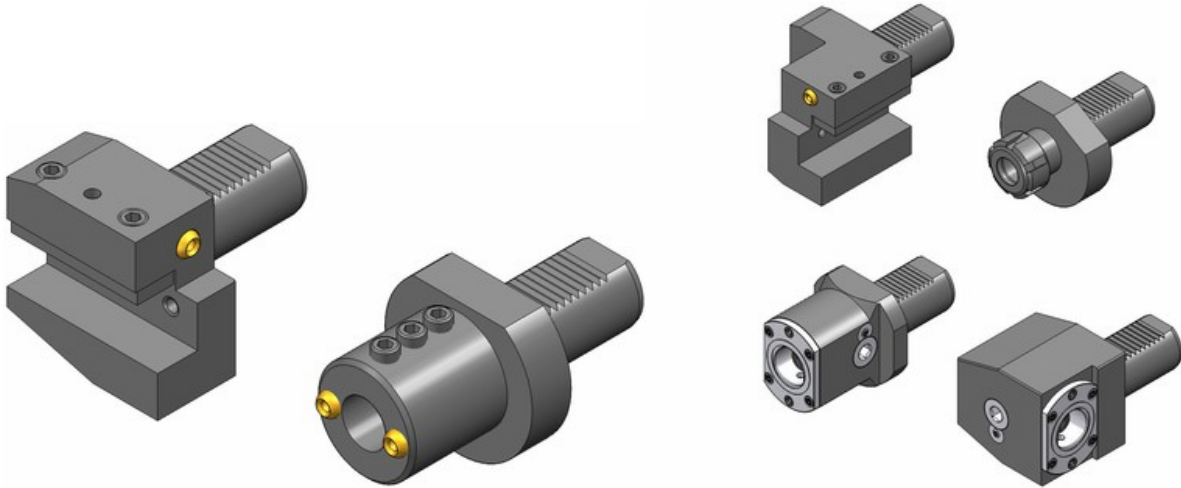
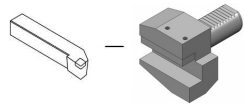


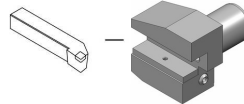
# Static Toolholders DIN 69880



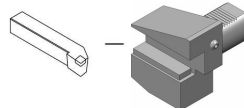
## DIN 69880 - Standard

**Radial square toolholder, right hand, short, Form B1**

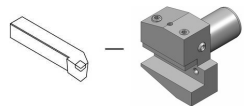
20	48-B1-30x20
20	48-B1-30x20x60
3/4"	48-B1-30x075

**Radial square toolholder, left hand, short, Form B2**

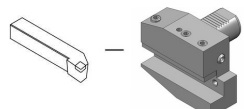
20	48-B2-30x20
20	48-B2-30x20x60
3/4"	48-B2-30x075

**Radial square toolholder, right hand inverted, short, Form B3**

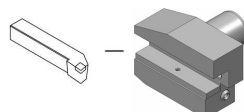
20	48-B3-30x20
20	48-B3-30x20x60
3/4"	48-B3-30x075

**Radial square toolholder, left hand inverted, short, Form B4**

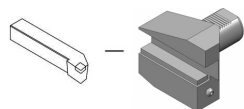
20	48-B4-30x20
20	48-B4-30x20x60
3/4"	48-B4-30x075

**Radial square toolholder, right hand, long, Form B5**

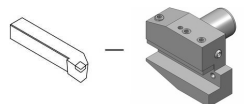
20	48-B5-30x20
20	48-B5-30x20x60
3/4"	48-B5-30x075

**Radial square toolholder, left hand, long, Form B6**

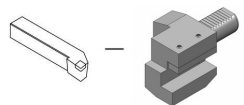
20	48-B6-30x20
20	48-B6-30x20x60
3/4"	48-B6-30x075

**Radial square toolholder, right hand inverted, long, Form B7**

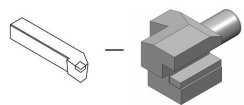
20	48-B7-30x20
20	48-B7-30x20x60
3/4"	48-B7-30x075

**Radial square toolholder, left hand inverted, long, Form B8**

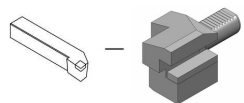
20	48-B8-30x20
20	48-B8-30x20x60
3/4"	48-B8-30x075

**Axial square toolholder, right hand, Form C1**

20	48-C1-30x20
3/4"	48-C1-30x075

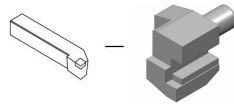
**Axial square toolholder, left hand, Form C2**

20	48-C2-30x20
3/4"	48-C2-30x075

**Axial square toolholder, right hand inverted, Form C3**

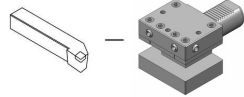
20	48-C3-30x20
3/4"	48-C3-30x075

DIN 69880 - Standard



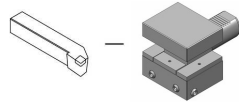
**Axial square toolholder, left hand inverted, Form C4**

20	48-C4-30x20
3/4"	48-C4-30x075



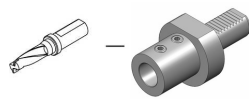
**Universal square toolholder, Form D1**

20	48-D1-30x20
----	-------------



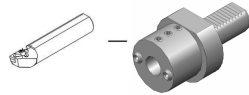
**Universal square toolholder, inverted, Form D2**

20	48-D2-30x20
----	-------------



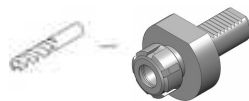
**Holder for indexable insert drills, internal coolant supply, Form E1**

Ø 16	48-E1-30x16
Ø 20	48-E1-30x20
Ø 25	48-E1-30x25
Ø 32	48-E1-30x32
Ø 1"	48-E1-30x100
Ø 1 1/4"	48-E1-30x125






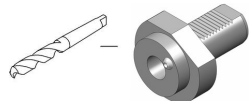
**Boring bar holder, internal coolant supply, Form E2**

Ø 8	48-E2-30x8
Ø 10	48-E2-30x10
Ø 12	48-E2-30x12
Ø 16	48-E2-30x16
Ø 20	48-E2-30x20
Ø 25	48-E2-30x25
Ø 30	48-E2-30x30
Ø 32	48-E2-30x32
Ø 1"	48-E2-30x100
Ø 1 1/4"	48-E2-30x125



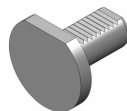
**ER collet chuck holder, internal coolant supply, Form E4**

ER 25	48-E4-30x25		107525000
ER 32	48-E4-30x32		107532000
ER 40	48-E4-30x40		107540000



**Morse taper holder, Form F**

MK 1	48-F-30xMK1
MK 2	48-F-30xMK2
MK 3	48-F-30xMK3



**Plug, plastic, Form Z2**

Plastic	48-Z2-30-P
---------	------------

**Plug, steel, Form Z2**

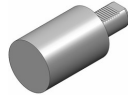
Steel	48-Z2-30-S
-------	------------

DIN 69880 - Standard



**Toolholder blank, rectangular, Form A1**

48-A1-30x85

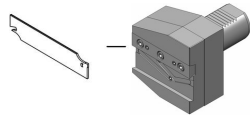


**Toolholder blank, round, Form A2**

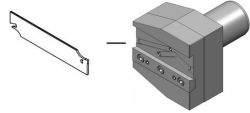
48-A2-30x100

48-A2-30x240

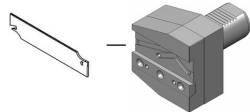
## Other



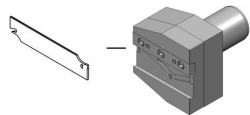
**Cut-off holder, adjustable height, right hand**  
SH 26 48-AR-30x26



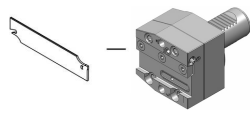
**Cut-off holder, adjustable height, left hand**  
SH 26 48-AL-30x26



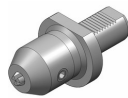
**Cut-off holder, adjustable height, right hand inverted**  
SH 26 48-ARU-30x26



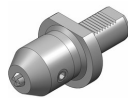
**Cut-off holder, adjustable height, left hand inverted**  
SH 26 48-ALU-30x26



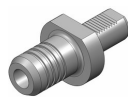
**Cut-off holder, adjustable height, right hand**  
HF=21.4 APBA-R-VDI30-21-HP  
HF=21.4 APBA-L-VDI30-21-HP  
HF=25 APBA-R-VDI30-25-HP  
HF=25 APBA-L-VDI30-25-HP



**Precision drill chuck, external coolant supply**  
Ø 0,5-8 48-BE-30x8  
Ø 1-13 48-BE-30x13  
Ø 3-16 48-BE-30x16



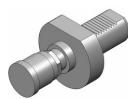
**Precision drill chuck, internal coolant supply**  
Ø 0,5-8 48-BI-30x8  
Ø 1-13 48-BI-30x13  
Ø 3-16 48-BI-30x16



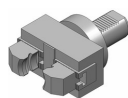
**Hydraulic chuck**  
Ø 20 48-HS-30x20  
Ø 25 48-HS-30x25  
Ø 32 48-HS-30x32



**Quick change tapping head**  
WE-1 48-GS-30x1  
WE-2 48-GS-30x2

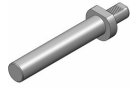


**Rotating bar stop**  
48-WA-30x32  
48-WA-30x42  
48-WA-30x58



**Bar puller**  
48-ST-30x56

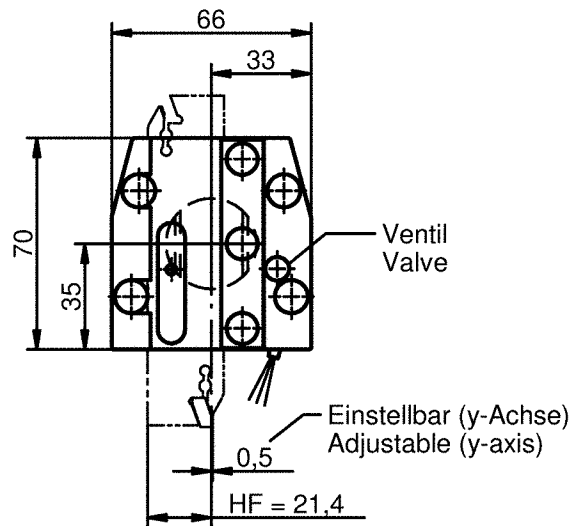
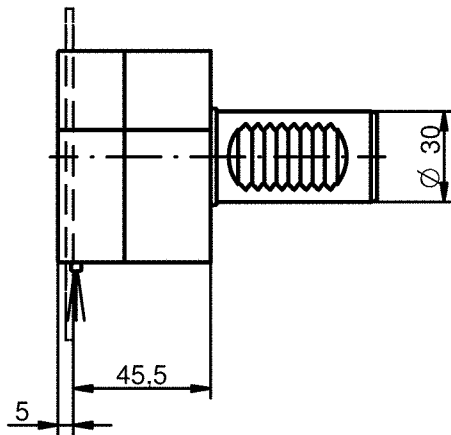
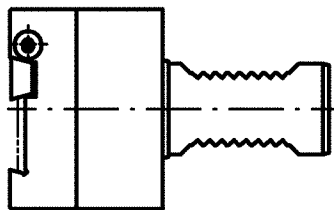
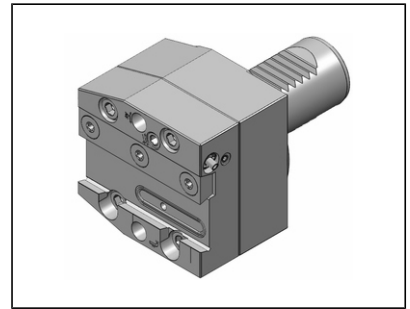
Other



**Test bar**

48-PD-30x40

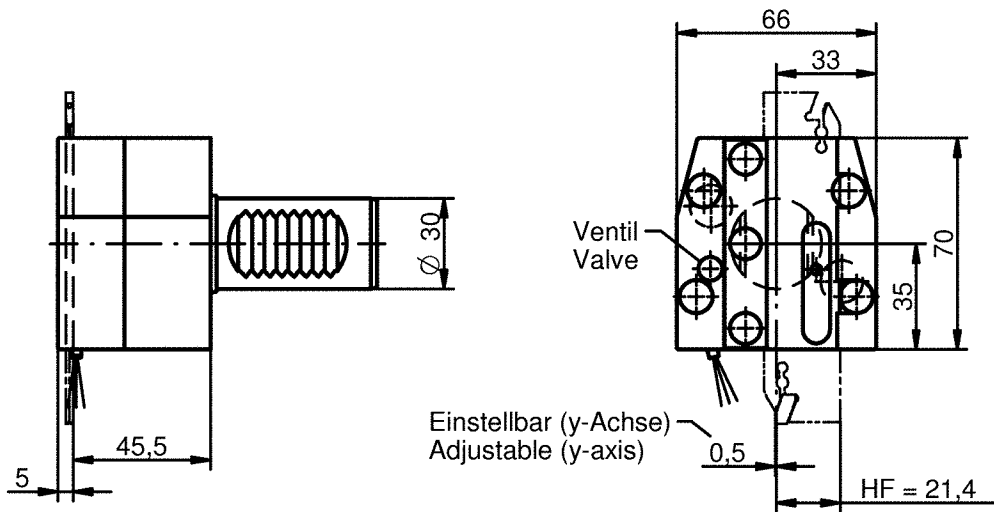
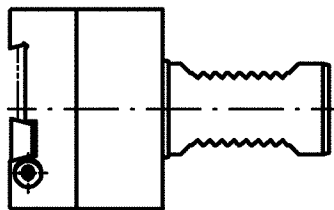
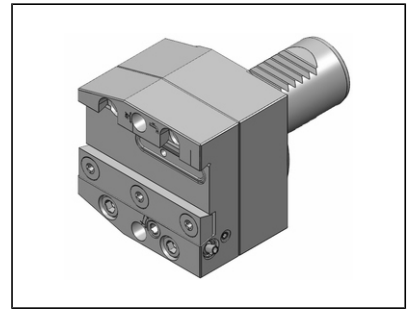
Cut-off holder, adjustable height, right hand  
 Internal coolant supply for parting blade  
 External coolant supply with valve shiftable  
 Max. coolant pressure = 1160 PSI (80 bar)



Item No.	Shaft-Ø	Tool Clamping			
<b>APBA-R-VDI30-21-HP</b>	30	HF=21.4			

Accessories  
 (not included)

Cut-off holder, adjustable height, left hand  
 Internal coolant supply for parting blade  
 External coolant supply with valve shiftable  
 Max. coolant pressure = 1160 PSI (80 bar)

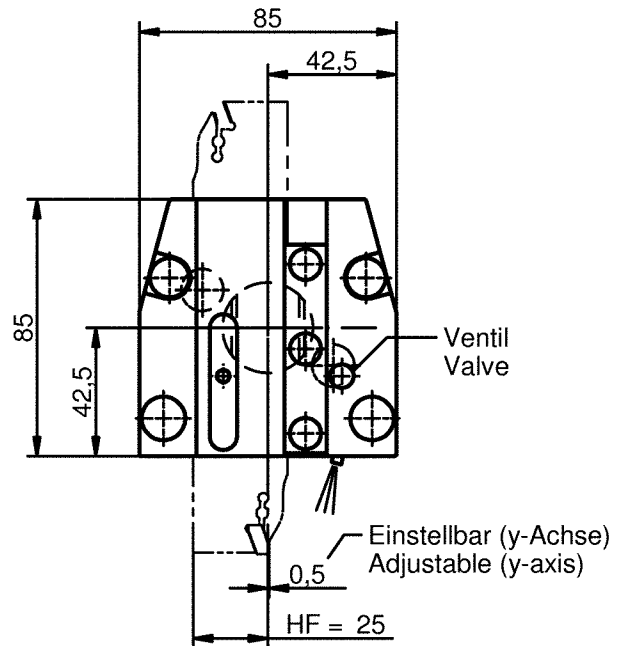
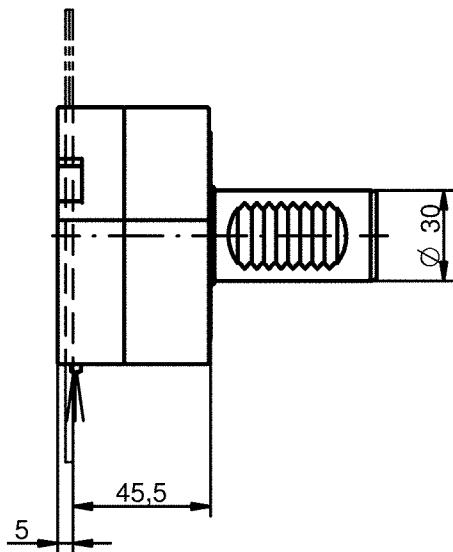
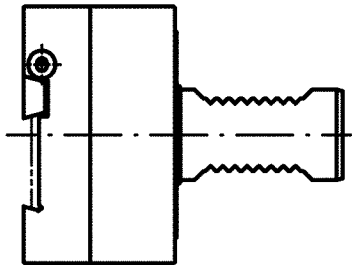
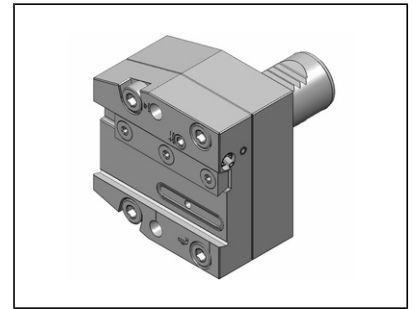


Item No.	Shaft-Ø	Tool Clamping			
<b>APBA-L-VDI30-21-HP</b>	30	HF=21.4			

Accessories  
 (not included)



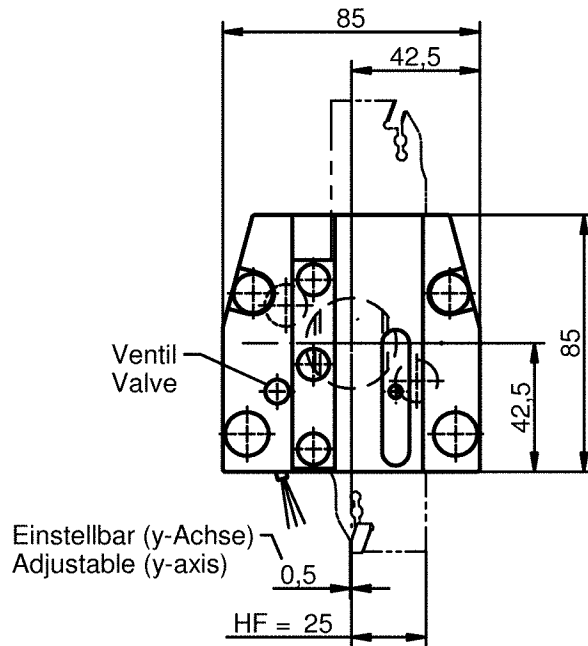
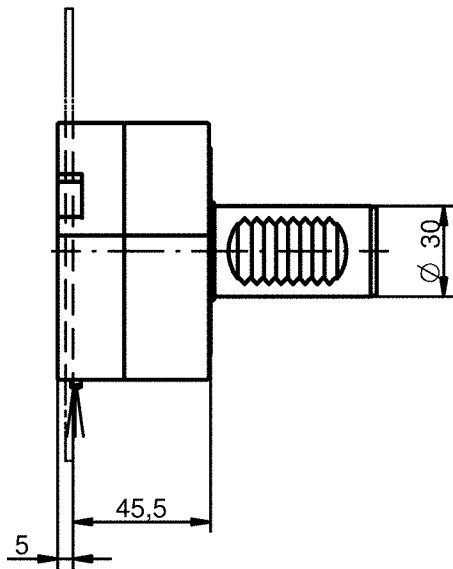
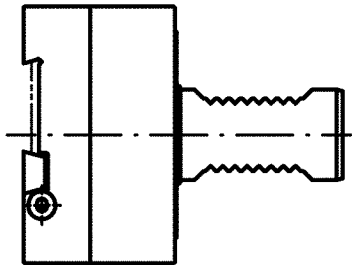
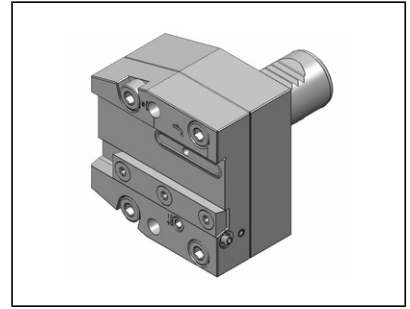
Cut-off holder, adjustable height, right hand  
 Internal coolant supply for parting blade  
 External coolant supply with valve shiftable  
 Max. coolant pressure = 1160 PSI (80 bar)



Item No.	Shaft-Ø	Tool Clamping			
<b>APBA-R-VDI30-25-HP</b>	30	HF=25			

Accessories  
 (not included)

Cut-off holder, adjustable height, left hand  
 Internal coolant supply for parting blade  
 External coolant supply with valve shiftable  
 Max. coolant pressure = 1160 PSI (80 bar)



Item No.	Shaft-Ø	Tool Clamping			
<b>APBA-L-VDI30-25-HP</b>	30	HF=25			

Accessories  
 (not included)